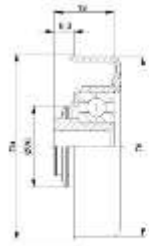


# PR-50 AX1 Series (Spring loaded axles Under Belt Rollers/ Gravity – TECHNICAL SHEET



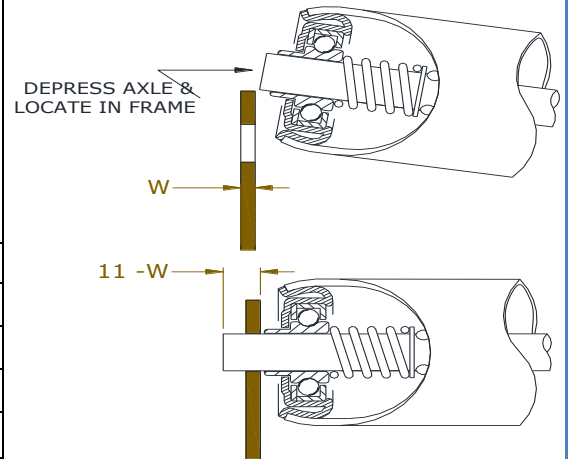
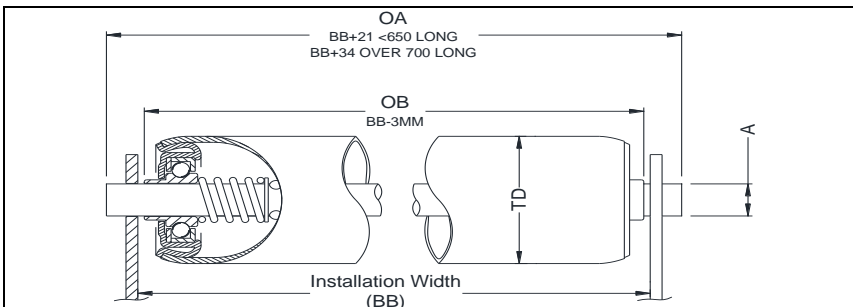
PR series are general purpose steel rollers with precision bearing (pop metric) for manual/under belt applications

Found in >	MATERIAL	TUBE EXTRAS
Belt Conveyors	Zinc Plated (BZP) tube Steel bearings & Steel axles	Rubber Sleeve
Farming Equipment		Bonded Rubber
Airports		Polyurethane
Cutting Equipment		

Roller Type	Roller Diameter & wall thickness	Axle	Axle	Bearing Type +Housing
PR-50	Ø50 x1.5	Ø10 Ø12	11H	6202 STEEL HOUSE
PR-50MD	Ø50.8 x2	Ø10 Ø12	11H	6202 STEEL HOUSE
PR-50HD†	Ø50.8 x3	Ø10 Ø12	11H	6202 STEEL HOUSE

## PR-50 Series Uniformly Distributed Load (UDL) x >75% Installation Length (BB)

Axle Diameter	Load Capacity <300MM BB	Load Capacity <450MM BB	Load Capacity <650MM BB	Load Capacity <850MM BB	Load Capacity <1000MM BB
Ø10	240 KGF UDL	240 KGF UDL	160	59 KGF UDL	41 KGF UDL
11 hexagonal	240 KGF UDL	240 KGF UDL	160 k	77 KGF UDL	50 KGF UDL
Ø12	240 KGF UDL	240 KGF UDL	160 KGF UDL	77 KGF UDL	50 KGF UDL
†PR-50HD ONLY	320 KGF UDL	240 KGF UDL	160 KGF UDL	115 KGF UDL	75 KGF UDL
<360 RPM	ANTI-STATIC	CR6 6202 BRGS	ZINC PLATED FINISH	EXTRAS: PVC SLEEVE, RUBBER / PU COATING	



Roller Type (ie PR-50HD)	
Installation Width (BB)	BB
Axle A	Ø ;  H
Quantity Required	
OB (over bearing boss*)	*
OA (over all axle length*) or L	*
*leave blank if rollers are to suit installation width (BB)	
Notes:	

Company Name and address:-

Signed.....Print.....

Date: Purchase order No.....

Collect or Send by Carrier – circle as appropriate

Comments:

Please sign & return Order