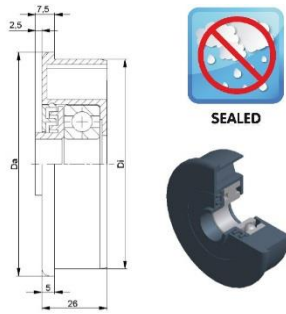


# PRP –SAX1 (spring loaded) rollers for Under Belt / Gravity – Plastic c/w mild steel axle

PRP series are general purpose plastic rollers with sealed plastic housed pop metric precision bearing for manual/under belt applications

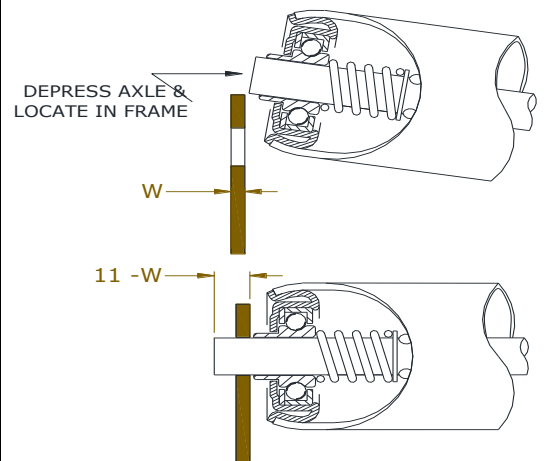


Found in >	MATERIAL	EXTRAS
Battery/Chemical	Rigid pvc	Rubber Sleeve*PRP50 ONLY
Under Belt	Blue RAL 5002	BZP axles Stainless axles
Airport X-ray	--	
Food Warehouse	GREY 48	

Roller Type (suffix roller type with axle size)	Roller Diameter & Colour	● Axle	⬡ Axle	Bearing Type +Housing	Load Capacity†
PRP40G AX1	Ø40 – GREY	Ø8 Ø10 Ø11 Ø12	11H	PR40-37 +6002	15kgF udl <450
PRP40 AX1	Ø40 – BLUE	Ø8 Ø10 Ø11 Ø12	11H	PR40-37 +6002	15kgF udl <450
PRP50G AX1	Ø50 – GREY	Ø10 Ø12 Ø14	11H	KTR-EBH50-45+6202	40kgF udl <450
PRP50 AX1	Ø50 – BLUE	Ø10 Ø12 Ø14	11H	KTR-EBH50-45+6202	40kgF udl <450
PRP60 AX1	Ø60 – BLUE	Ø10 Ø12 Ø14	11H	KTR-EBH60-54+6202	50kgF udl <600
PRP63 AX1	Ø63 – BLUE	Ø10 Ø12 Ø14	11H	KTR-EBH60-56+6202	60kgF udl <650
PRP90HD20AX1	Ø90 – GREY	Ø20	--	KLH89-7-6204	100kgF udl <800

† Load Capacity calculated on standard lengths in MM. Please ask to confirm advisable load capacity on quotation/order

Roller Type (ie PRP50G)	
Installation Width (BB)	BB
Axle special material BZP or Stainless	
Axle A	Ø     ⬡ H
Quantity Required	
OB (over bearing boss*)	*
OA (over all axle length*) or L	*
*leave OB & OA blank if rollers are to suit installation width (BB)	



Company Name and address:-	Signed.....Print.....
	Date: Purchase order No.....
	Collect or Send by Carrier – circle as appropriate
	Comments:

Please sign & return Order